

# Drawing in One-Point Perspective Handouts

© Harold Olejarz, 2005

[www.olejarz.com/arted/perspective/index.html](http://www.olejarz.com/arted/perspective/index.html)

Listed below are the 29 lessons contained in this PDF file. You may print as many copies of these handouts as you like and use them yourself or distribute them to your students. Please respect the time and effort I have put in to this project and do not violate my copyright by distributing this document to others. Please refer anyone who is interested in a copy to visit the web site, listed above, where they may purchase a legitimate copy and support and encourage my work. Thank you.

## Introduction and Starting pages 2 - 3

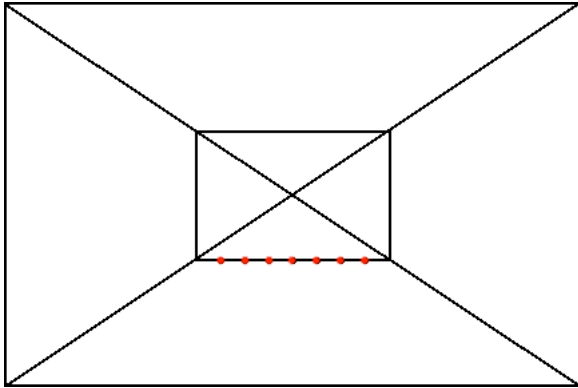
### Novice

### Intermediate

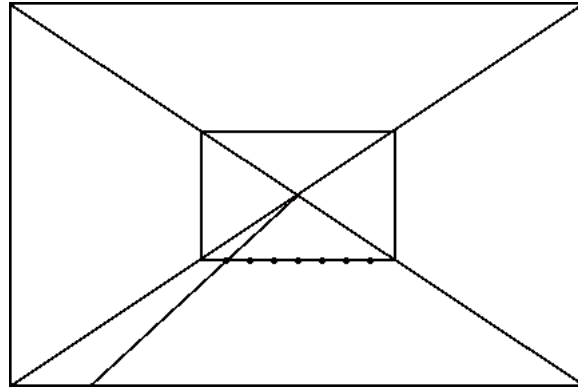
### Expert

Door	page 4	Coffee Table	page 17	Desk	page 31 - 32
Window	page 5	TV	page 18	Chair	page 33 - 34
Rug	page 6	Dresser	page 19	Couch	page 35 - 36
Skylight	page 7	Counters	page 20 - 21	Table	page 37 - 38
Poster	page 8	Speakers	page 22	Bookcase	page 39 - 40
Wood Floor	page 9	Bed, Side	page 23	Chair Back	page 41 - 42
Tile Floor	page 10 - 11	Bed, Back	page 24	Bunkbed	page 43 - 44
Wood Paneling	page 12	Fireplace, Side	page 25 - 26	Steps, Sidewall	page 45
Ceiling Lights	page 13 - 14	Fireplace, Back	page 27 - 28	Steps, Backwall	page 46 - 47
Tile Ceiling	page 15 - 16	Pool	page 29 - 30		

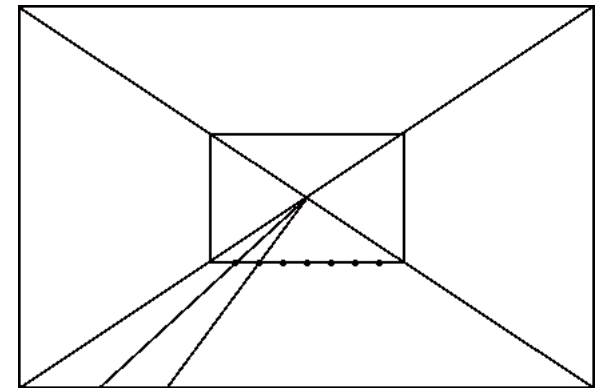
# LESSON 6 - WOOD FLOOR



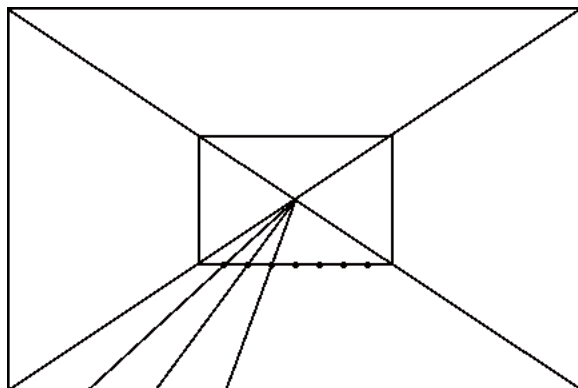
Step 1



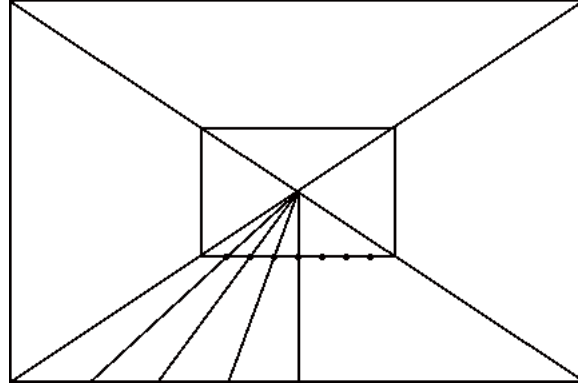
Step 2



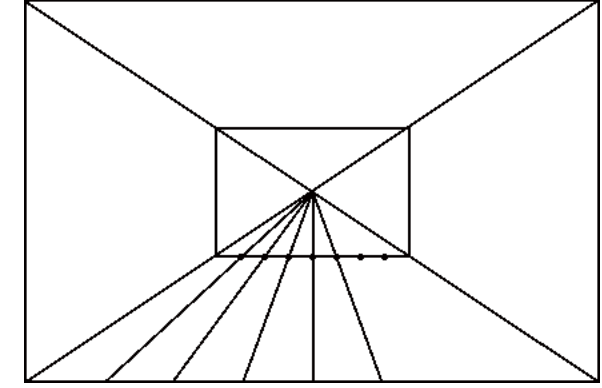
Step 3



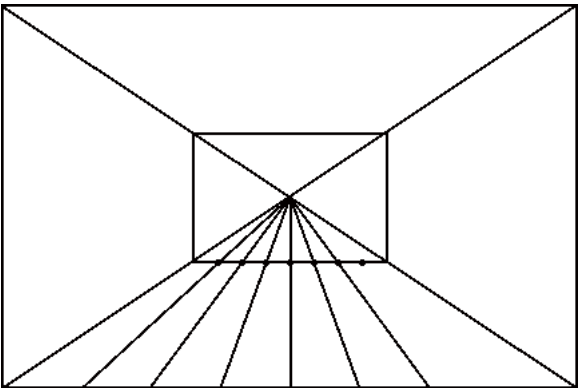
Step 4



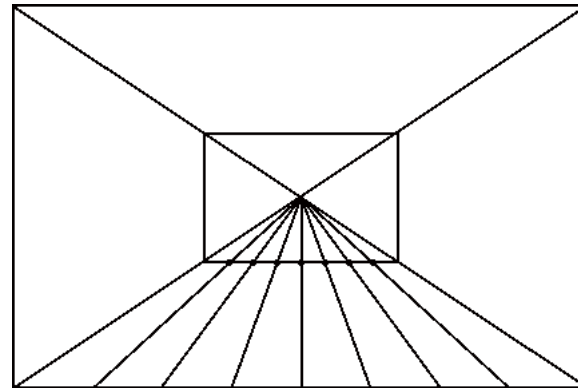
Step 5



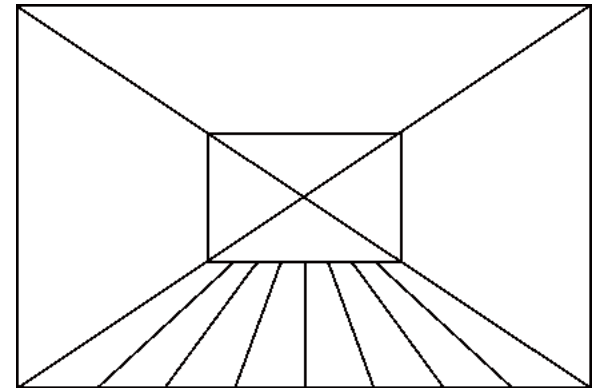
Step 6



Step 7



Step 8



Step 9

*Drawing in One-Point Perspective*

*[www.olejarz.com/arted/perspective](http://www.olejarz.com/arted/perspective)*

*©2004, Harold Olejarz*